

M3514-MP

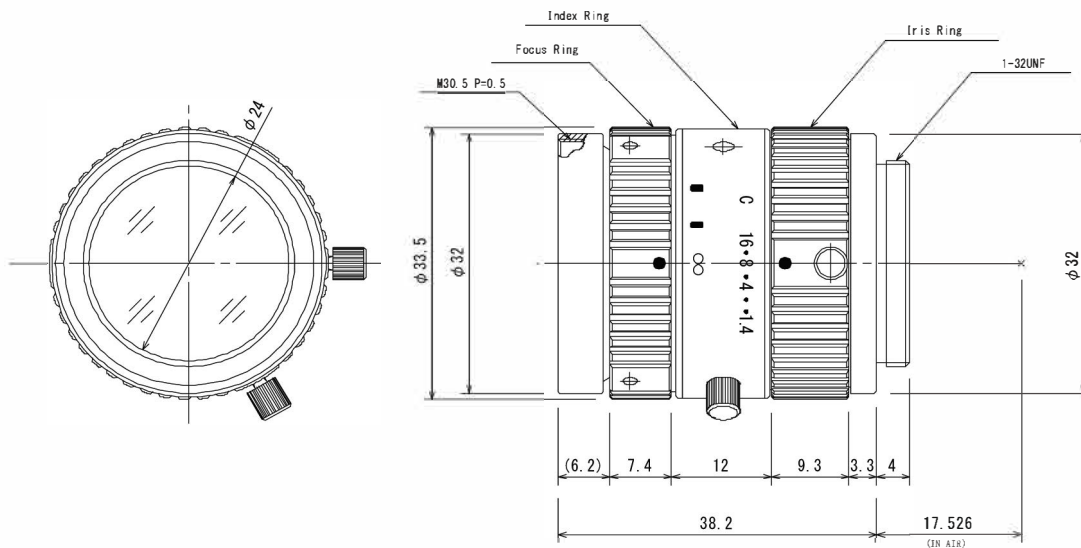
f=35mm F1.4
for 2/3 type Megapixel Cameras
C-Mount



Model No.		M3514-MP		Effective	Front	φ 24mm	
Focal Length		35mm		Lens Aperture	Rear	φ 12mm	
Max. Aperture Ratio		1:1.4		Distortion	2/3 type	-0.8%(y=5.5)	
Max. Image Format		8.8mm x 6.6mm(φ 11mm)			1/2 type	-0.39%(y=4.0)	
Operation Range	Iris	F1.4 - F16C		Back Focal Length		17.1mm	
	Focus	0.3m - Inf.		Flange Back Length		17.526mm	
Control	Iris	Manual		Mount		C-Mount	
	Focus	Manual		Filter Size		M30.5 P=0.5mm	
Object Dimension at M.O.D	2/3 type	8.1cm x 6cm		Dimensions		φ 33.5mm x 38.2mm	
	1/2 type	5.9cm x 4.4cm		Weight		87g	
Angle of View	D	2/3 type	17.3°	1/2 type	12.6°		
	H		13.9°		10.1°		
	V		10.4°		7.6°		
Operating Temperature		-10°C - +50°C					

M.O.D : Minimum Object Distance

Dimensions



Specifications are subject to change without notice.



CBC (AMERICA) Corp

We enable VISION for every industry.
sales@sodavision.com
www.sodavision.com

NEW YORK: 55 MALL DRIVE COMMACK, NY 11725 • TEL: 1 (800) 422-6707 • (631) 864-9700 • FAX: (631) 543-5426
CALIFORNIA: 20521 EARL STREET TORRANCE, CA 90503 • TEL: 1 (800) 888-0131 • (310) 793-1500 • FAX: (310) 793-1506
www.computarganz.com © 2008 CBC (AMERICA) Corp. All Rights Reserved. 05/08 (2008.05)