

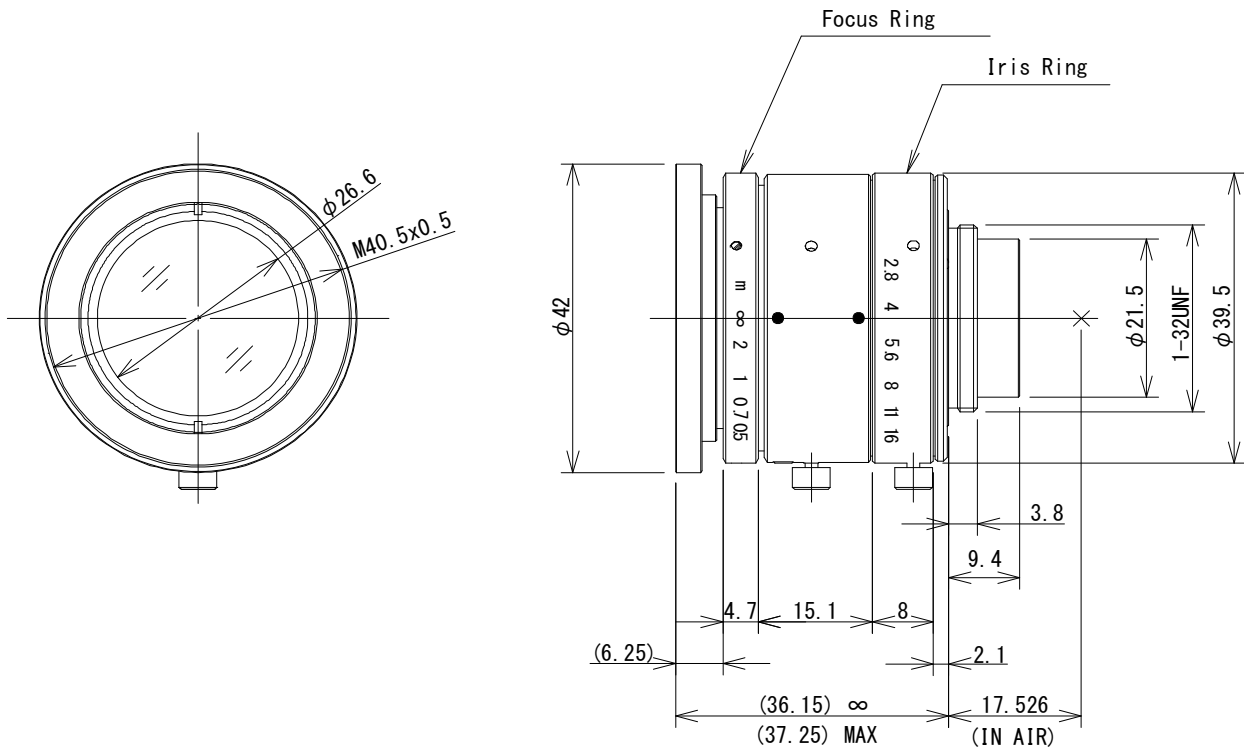
V1228-MPY

f=12mm F2.8
for 1.1" type Cameras 12 Megapixel
C-Mount

Model No.		V1228-MPY		Effective	Front	φ 26.2mm	
Focal Length		12mm		Lens Aperture	Rear	φ 16.7mm	
Max. Aperture Ratio		1:2.8			Distortion	1.1 type	-0.5%
Max. Image Format		14.2mm x 10.4mm (φ 17.6mm)		1 type		-1.0%	
Operation Range	Iris	F2.8 - F16.0		2/3 type		-1.4%	
	Focus	0.3m - Inf.		Back Focal Length		8.4mm	
Control	Iris	Manual		Flange Back Length		17.526mm	
	Focus	Manual		Mount		C-Mount	
Object Dimension at M.O.D.	1.1" Type	35cm x 26cm		Filter Size		M40.5 P=0.5mm	
	1" Type	32cm x 24cm		Dimensions		φ 42.0mm x 36.1mm	
	2/3" Type	22cm x 16cm		Weight		98.3g	
Angle of View	D	1.1 Type	71.1°	1 Type	66.4°	2/3 Type	48.6°
	H		60.5°		55.5°		39.6°
	V		46.2°		42.9°		30.1°
Operating Temperature		-10°C - +50°C					

M.O.D. : Minimum Object Distance

Dimensions



We enable VISION for every industry.
sales@sodavision.com
www.sodavision.com

Specification is subject to change without any notice.

2016.11