

# V3528-MPY

f=35mm F2.8

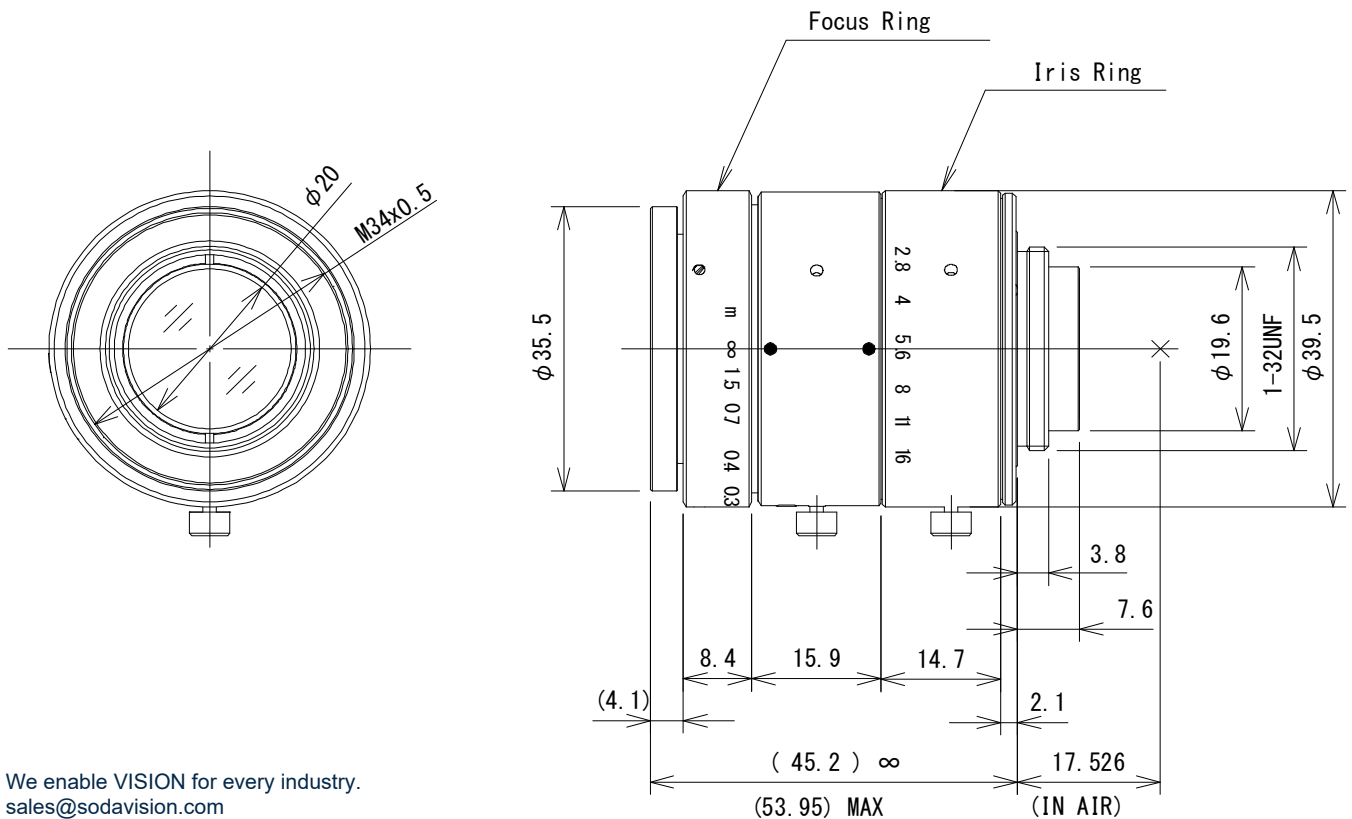
for 1.1" type 12 Megapixel cameras, Fixed-focal

C-Mount

|                            |                           |              |                    |          |                   |          |       |
|----------------------------|---------------------------|--------------|--------------------|----------|-------------------|----------|-------|
| Model No.                  | V3528-MPY                 |              | Effective          | Front    | φ 20.9mm          |          |       |
| Focal Length               | 35mm                      |              | Lens Aperture      | Rear     | φ 14.3mm          |          |       |
| Max. Aperture Ratio        | 1:2.8                     |              | Distortion         | 1.1 type | -0.1%             |          |       |
| Max. Image Format          | 14.2mm x 10.4mm(φ 17.6mm) |              |                    | 1 type   | 0.0%              |          |       |
| Operation Range            | Iris                      | F2.8 - F16.0 |                    | 2/3 type | 0.0%              |          |       |
|                            | Focus                     | 0.3m - Inf.  | Back Focal Length  |          | 11.7mm            |          |       |
| Control                    | Iris                      | Manual       | Flange Back Length |          | 17.526mm          |          |       |
|                            | Focus                     | Manual       | Mount              |          | C-Mount           |          |       |
| Object Dimension at M.O.D. | 1.1 Type                  | 11cm x 8cm   | Filter Size        |          | M34.0 P=0.5mm     |          |       |
|                            | 1 Type                    | 10cm x 7cm   | Dimensions         |          | φ 39.5mm x 45.2mm |          |       |
|                            | 2/3 Type                  | 7cm x 5cm    | Weight             |          | 103.0g            |          |       |
| Angle of View              | D                         | 1.1 Type     | 28.2°              | 1 Type   | 25.8°             | 2/3 Type | 17.9° |
|                            | H                         |              | 22.9°              |          | 20.7°             |          | 14.3° |
|                            | V                         |              | 16.9°              |          | 15.6°             |          | 10.8° |
| Operating Temperature      | -10°C - +50°C             |              |                    |          |                   |          |       |

M.O.D. : Minimum Object Distance

## Dimensions



We enable VISION for every industry.  
sales@sodavision.com  
www.sodavision.com

Specification is subject to change without any notice.

2017.02