

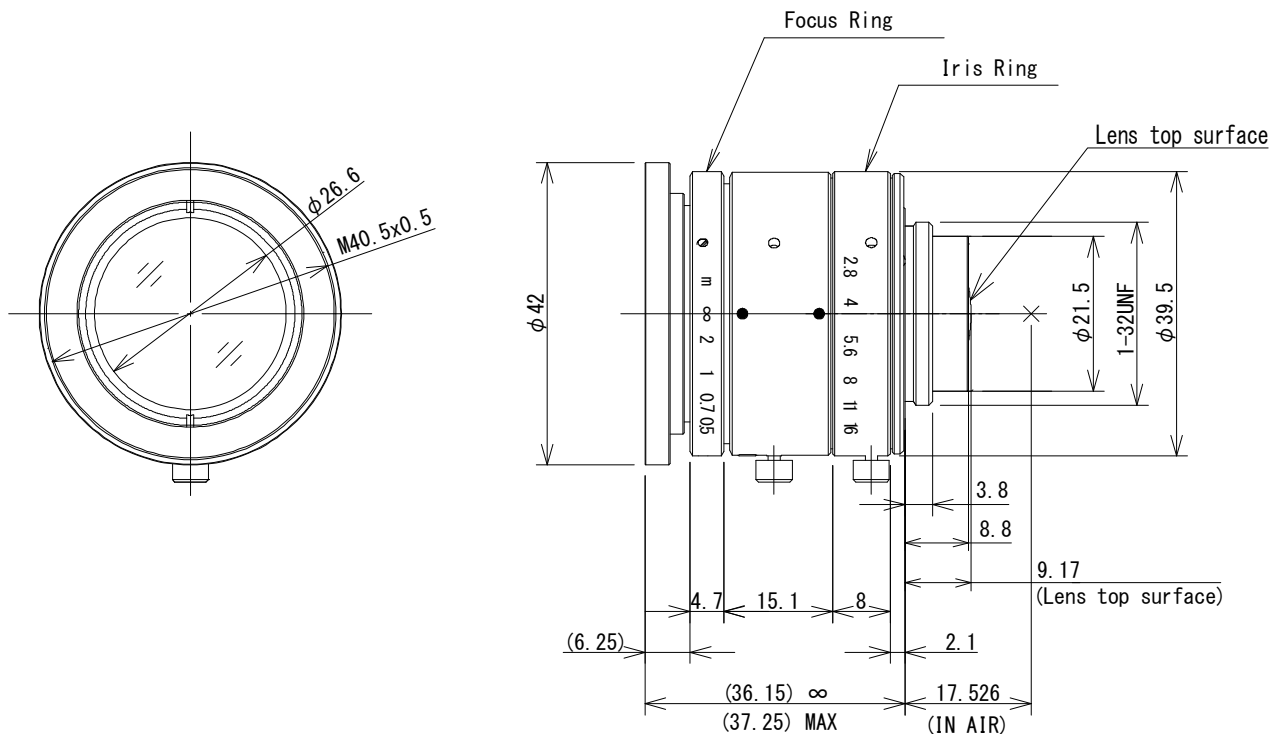
V1228-MPY2

f=12mm F2.8
for 1.1" type 12 Megapixel cameras, Fixed-focal
C-Mount

Model No.	V1228-MPY2		Effective	Front	φ 26.2mm		
Focal Length	12mm		Lens Aperture	Rear	φ 16.7mm		
Max. Aperture Ratio	1:2.8		Distortion	1.1 type	-0.5%		
Max. Image Format	14.2mm x 10.4mm (φ 17.6mm)			1 type	-1.0%		
Operation Range	Iris	F2.8 - F16.0		2/3 type	-1.4%		
	Focus	0.3m - Inf.	Back Focal Length		8.4mm		
Control	Iris	Manual	Flange Back Length		17.526mm		
	Focus	Manual	Mount		C-Mount		
Object Dimension at M.O.D.	1.1 Type	35cm x 26cm	Filter Size		M40.5 P=0.5mm		
	1 Type	32cm x 24cm	Dimensions		φ 42.0mm x 36.1mm		
	2/3 Type	22cm x 16cm	Weight		97.2g		
Angle of View	D	1.1 Type	71.1°	1 Type	66.4°	2/3 Type	48.6°
	H		60.5°		55.5°		39.6°
	V		46.2°		42.9°		30.1°
Operating Temperature	-10°C - +50°C						

M.O.D. : Minimum Object Distance

Dimensions



We enable VISION for every industry.
sales@sodavision.com
www.sodavision.com

Specification is subject to change without any notice.

2019.08