

# V1628-MPY2

f=16mm F2.8

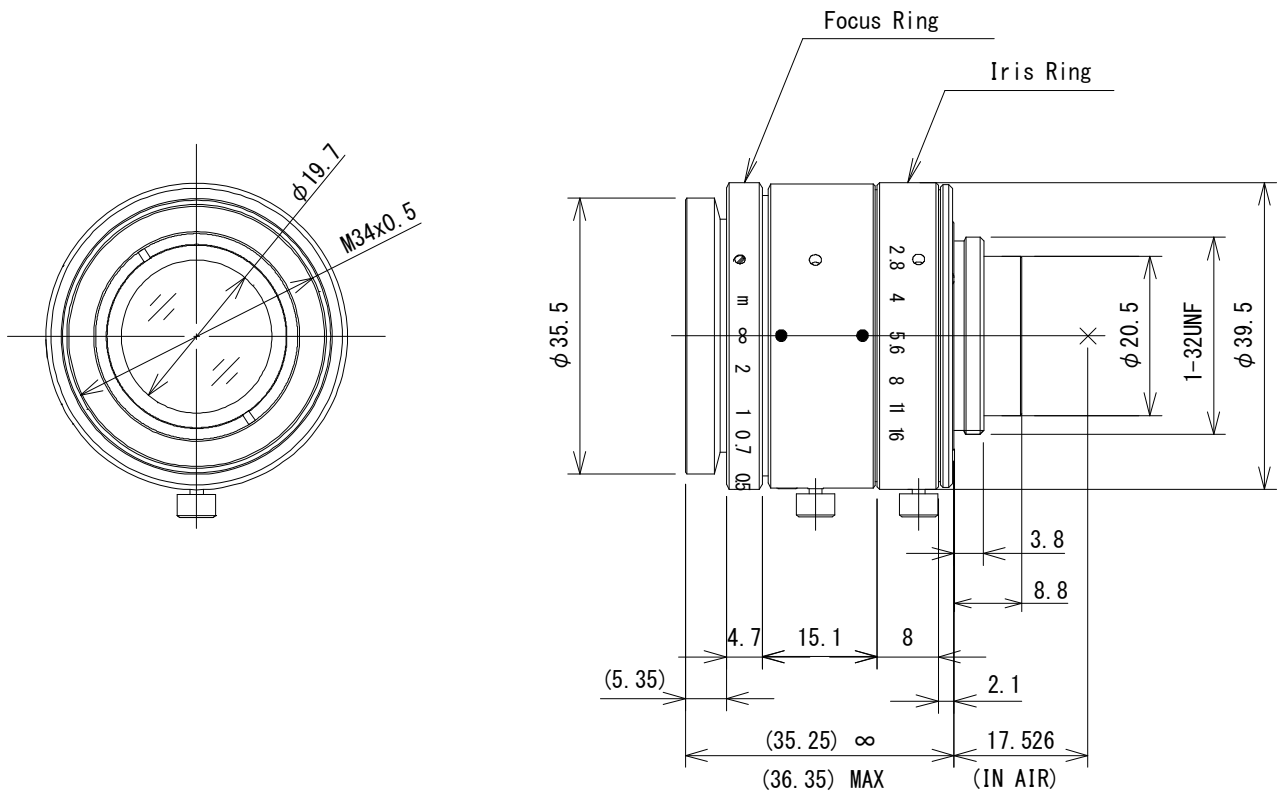
for 1.1" type 12 Megapixel cameras, Fixed-focal

C-Mount

|                            |                            |              |                    |          |                   |          |       |
|----------------------------|----------------------------|--------------|--------------------|----------|-------------------|----------|-------|
| Model No.                  | V1628-MPY2                 |              | Effective          | Front    | φ 19.4mm          |          |       |
| Focal Length               | 16mm                       |              | Lens Aperture      | Rear     | φ 15.3mm          |          |       |
| Max. Aperture Ratio        | 1:2.8                      |              | Distortion         | 1.1 type | -0.5%             |          |       |
| Max. Image Format          | 14.2mm x 10.4mm (φ 17.6mm) |              |                    | 1 type   | -0.6%             |          |       |
| Operation Range            | Iris                       | F2.8 - F16.0 |                    | 2/3 type | -0.6%             |          |       |
|                            | Focus                      | 0.3m - Inf.  | Back Focal Length  |          | 9.4mm             |          |       |
| Control                    | Iris                       | Manual       | Flange Back Length |          | 17.526mm          |          |       |
|                            | Focus                      | Manual       | Mount              |          | C-Mount           |          |       |
| Object Dimension at M.O.D. | 1.1 Type                   | 26cm x 19cm  | Filter Size        |          | M34.0 P=0.5mm     |          |       |
|                            | 1 Type                     | 24cm x 18cm  | Dimensions         |          | φ 39.5mm x 35.2mm |          |       |
|                            | 2/3 Type                   | 16cm x 12cm  | Weight             |          | 89.8g             |          |       |
| Angle of View              | D                          | 1.1 Type     | 57.9°              | 1 Type   | 53.4°             | 2/3 Type | 38.2° |
|                            | H                          |              | 48.2°              |          | 43.9°             |          | 30.9° |
|                            | V                          |              | 36.2°              |          | 33.6°             |          | 23.4° |
| Operating Temperature      | -10°C - +50°C              |              |                    |          |                   |          |       |

M.O.D. : Minimum Object Distance

## Dimensions



We enable VISION for every industry.  
sales@sodavision.com  
www.sodavision.com

Specification is subject to change without any notice.

2019.08